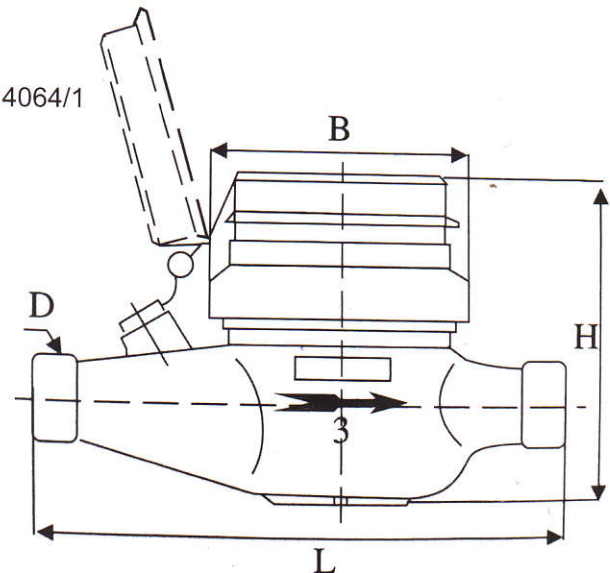




SALIENT FEATURES

- Multijet, super dry, straight reading type, hermetically sealed water meter with magnetic Driven totaliser.
- Standard : it complies with IS: 779/94 and class B of ISO:4064/1
- Brass body and coupling Nut Nipple
- Plastic cap and ring
- Sealed against tampering
- Leakproof, totally dry
- Measuring unit is kiloliters
- Maximum Reading 99999.9999



WORKING CONDITIONS

Water Temperature $\leq 45^{\circ}\text{C}$
 Water Pressure $\leq 1\text{MPa}$
 Maximum Pressure-16 Bar

ACCURACY :

From minimum flow rate (Q_{\min}) Inclusive to transitional flow rate (Q_t), Exclusive $\pm 5\%$
 From transitional flow rate (Q_t) Inclusive to Maximum flow rate (Q_{\max}), Exclusive $\pm 2\%$

PERFORMANCE DATA

Nominal Size DN (mm)	Minimum Reading Quantity In Litres	Hydro Static Test	Maximum Flow Rate in Q_{\max} -Lts./Hr	Nominal Flow rate Q_n -Lts/hr	Transitional flow rate Q_n .Lts/hr	Minimum Starting Flow Q_{\min} -Lts/hr
15	0.1	2.0MPa	3000	1500	120	30

METER DIMENSIONS

TYPE	Size (mm)	Length mm L	Width (mm) w	Length Including Nipple $\pm 5\%$	Height (mm) H	Conneting Thread D
Multi Jet	15MM	165	81	250	100	3/4"

Features :

Dry dial, vacuum sealed to keep clean reading for long time available for cold water $0-45^{\circ}\text{C}$ and hot water $0-45^{\circ}\text{C}-90^{\circ}\text{C}$

Magnetic transmission

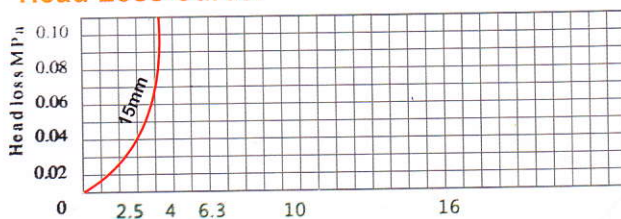
Ant magnetic type

Upon request:

Remote Transmission device can be added upon request

Pulse output 10L/Pulse

Head Loss Curve:



Error Curve:

